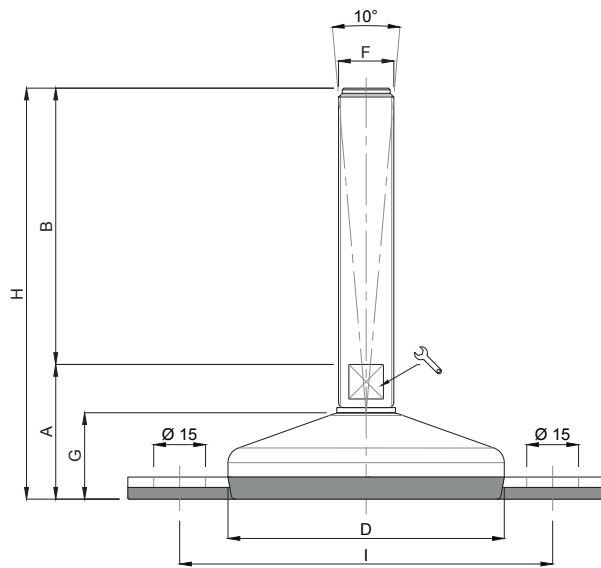


Piede Inox

Caratteristiche: BASE VULCANIZZATA Ø 80 CON DOPPIO FISSAGGIO,
STELO SNODATO 10°

Features: VULCANIZED BOLT/DOWN BASE Ø 80, 10° ARTICULATED STEM



| CODICE CODE | DESCRIZIONE description | DIMENSIONI PRINCIPALI - MAIN DIMENSIONS | | | | | | | | | CARICO LOAD NEWTON |
|----------------|----------------------------|---|-----|------|----|----|-----|----|-----|-----|--------------------------|
| | | A | B | D | | | F | G | H | I | |
| 24900/10/FF | M10x50 | 35 | 50 | ø 80 | - | 14 | M10 | 25 | 85 | 108 | 10000 |
| 25000/10/FF | M10x75 | 35 | 75 | ø 80 | - | 14 | M10 | 25 | 110 | 108 | 10000 |
| 25002/10/FF | M10x100 | 35 | 100 | ø 80 | - | 14 | M10 | 25 | 135 | 108 | 10000 |
| 25004/10/FF | M10x125 | 35 | 125 | ø 80 | - | 14 | M10 | 25 | 160 | 108 | 10000 |
| 25006/10/BF/FF | M10x150 | 38 | 150 | ø 80 | 8 | - | M10 | 25 | 188 | 108 | 10000 |
| 25008/10/BF/FF | M10x175 | 38 | 175 | ø 80 | 8 | - | M10 | 25 | 213 | 108 | 10000 |
| 25010/10/BF/FF | M10x200 | 38 | 200 | ø 80 | 8 | - | M10 | 25 | 238 | 108 | 10000 |
| 24900/12/FF | M12x50 | 35 | 50 | ø 80 | - | 14 | M12 | 25 | 85 | 108 | 10000 |
| 25000/12/FF | M12x75 | 35 | 75 | ø 80 | - | 14 | M12 | 25 | 110 | 108 | 10000 |
| 25002/12/FF | M12x100 | 35 | 100 | ø 80 | - | 14 | M12 | 25 | 135 | 108 | 10000 |
| 25004/12/FF | M12x125 | 35 | 125 | ø 80 | - | 14 | M12 | 25 | 160 | 108 | 10000 |
| 25006/12/BF/FF | M12x150 | 38 | 150 | ø 80 | 10 | - | M12 | 25 | 188 | 108 | 10000 |
| 25008/12/BF/FF | M12x175 | 38 | 175 | ø 80 | 10 | - | M12 | 25 | 213 | 108 | 10000 |
| 25010/12/BF/FF | M12x200 | 38 | 200 | ø 80 | 10 | - | M12 | 25 | 238 | 108 | 10000 |
| 25000/FF | M14x75 | 35 | 75 | ø 80 | - | 14 | M14 | 25 | 110 | 108 | 10000 |
| 25002/FF | M14x100 | 35 | 100 | ø 80 | - | 14 | M14 | 25 | 135 | 108 | 10000 |
| 25004/FF | M14x125 | 35 | 125 | ø 80 | - | 14 | M14 | 25 | 160 | 108 | 10000 |
| 25006/FF | M14x150 | 35 | 150 | ø 80 | - | 14 | M14 | 25 | 185 | 108 | 10000 |
| 25008/FF | M14x175 | 35 | 175 | ø 80 | - | 14 | M14 | 25 | 210 | 108 | 10000 |
| 25020/FF | M16x75 | 35 | 75 | ø 80 | 13 | - | M16 | 25 | 110 | 108 | 10000 |
| 25022/FF | M16x100 | 38 | 100 | ø 80 | 13 | - | M16 | 25 | 138 | 108 | 10000 |
| 25024/FF | M16x125 | 38 | 125 | ø 80 | 13 | - | M16 | 25 | 163 | 108 | 10000 |
| 25026/FF | M16x150 | 38 | 150 | ø 80 | 13 | - | M16 | 25 | 188 | 108 | 10000 |
| 25028/FF | M16x175 | 38 | 175 | ø 80 | 13 | - | M16 | 25 | 213 | 108 | 10000 |
| 25030/FF | M16x200 | 38 | 200 | ø 80 | 13 | - | M16 | 25 | 238 | 108 | 10000 |
| 25040/FF | M20x75 | 38 | 75 | ø 80 | 17 | - | M20 | 25 | 113 | 108 | 10000 |
| 25042/FF | M20x100 | 38 | 100 | ø 80 | 17 | - | M20 | 25 | 138 | 108 | 10000 |
| 25044/FF | M20x125 | 38 | 125 | ø 80 | 17 | - | M20 | 25 | 163 | 108 | 10000 |
| 25046/FF | M20x150 | 38 | 150 | ø 80 | 17 | - | M20 | 25 | 188 | 108 | 10000 |
| 25048/FF | M20x175 | 38 | 175 | ø 80 | 17 | - | M20 | 25 | 213 | 108 | 10000 |
| 25050/FF | M20x200 | 38 | 200 | ø 80 | 17 | - | M20 | 25 | 238 | 108 | 10000 |
| 25052/FF | M20x225 | 38 | 225 | ø 80 | 17 | - | M20 | 25 | 263 | 108 | 10000 |
| 25054/FF | M20x250 | 38 | 250 | ø 80 | 17 | - | M20 | 25 | 288 | 108 | 10000 |
| 25070/FF | M24x75 | 40 | 75 | ø 80 | 20 | - | M24 | 25 | 115 | 108 | 10000 |
| 25072/FF | M24x100 | 40 | 100 | ø 80 | 20 | - | M24 | 25 | 140 | 108 | 10000 |
| 25074/FF | M24x125 | 40 | 125 | ø 80 | 20 | - | M24 | 25 | 165 | 108 | 10000 |
| * 25076/FF | M24x150 | 40 | 150 | ø 80 | 20 | - | M24 | 25 | 190 | 108 | 10000 |
| * 25078/FF | M24x175 | 40 | 175 | ø 80 | 20 | - | M24 | 25 | 215 | 108 | 10000 |
| * 25080/FF | M24x200 | 40 | 200 | ø 80 | 20 | - | M24 | 25 | 240 | 108 | 10000 |
| 25082/FF | M24x225 | 40 | 225 | ø 80 | 20 | - | M24 | 25 | 265 | 108 | 10000 |
| 25084/FF | M24x250 | 40 | 250 | ø 80 | 20 | - | M24 | 25 | 290 | 108 | 10000 |

* Disponibile con Filettatura a passo fine. Aggiungere "/P2" al codice - Available with Thin pitch thread. Please, add "/P2" to the code.