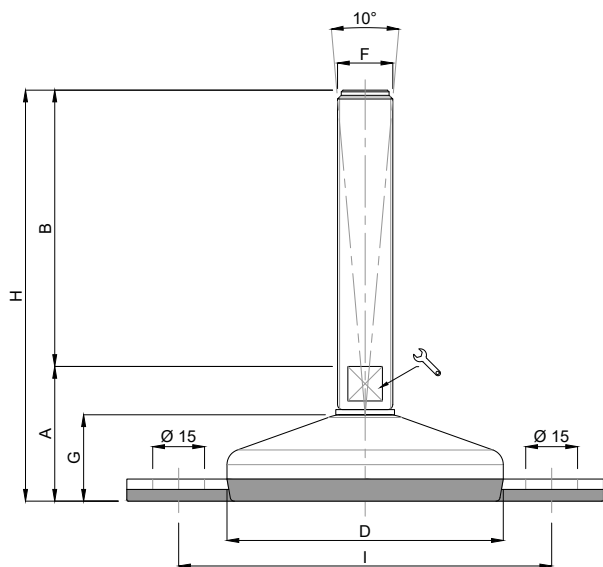


VULCANIZED MASCHINENFUSS EDELSTAHL Ø 80

MOVET®

VULCANIZED MACHINE LEVELLING FOOT STAINLESS STEEL Ø 80



TYP - TYPE 458	Beschreibung Description	HAUPTABMESSUNGEN - MAIN DIMENSIONS								STAT. BELASTUNG STATIC LOAD NEWTON
		A	B	D	🔑	F	G	H	I	
24900/10/FF	M10X50	35	50	Ø 80	14*	M10	25	85	108	10000
25000/10/FF	M10X75	35	75	Ø 80	14*	M10	25	110	108	10000
25002/10/FF	M10X100	35	100	Ø 80	14*	M10	25	135	108	10000
25004/10/FF	M10X125	35	125	Ø 80	14*	M10	25	160	108	10000
24900/12/FF	M12X50	35	50	Ø 80	14*	M12	25	85	108	10000
25000/12/FF	M12X75	35	75	Ø 80	14*	M12	25	110	108	10000
25002/12/FF	M12X100	35	100	Ø 80	14*	M12	25	135	108	10000
25004/12/FF	M12X125	35	125	Ø 80	14*	M12	25	160	108	10000
25006/12/FF	M12X150	35	150	Ø 80	14*	M12	25	185	108	10000
25000/FF	M14X75	35	75	Ø 80	14*	M14	25	110	108	10000
25002/FF	M14X100	35	100	Ø 80	14*	M14	25	135	108	10000
25004/FF	M14X125	35	125	Ø 80	14*	M14	25	160	108	10000
25006/FF	M14X150	35	150	Ø 80	14*	M14	25	185	108	10000
25008/FF	M14X175	35	175	Ø 80	14*	M14	25	210	108	1000
25020/FF	M16X75	38	75	Ø 80	13	M16	25	113	108	10000
25022/FF	M16X100	38	100	Ø 80	13	M16	25	138	108	10000
25024/FF	M16X125	38	125	Ø 80	13	M16	25	163	108	10000
25026/FF	M16X150	38	150	Ø 80	13	M16	25	188	108	10000
25028/FF	M16X175	38	175	Ø 80	13	M16	25	213	108	10000
25030/FF	M16x200	38	200	Ø 80	13	M16	25	238	108	10000
25040/FF	M20X75	38	75	Ø 80	17	M20	25	113	108	10000
25042/FF	M20X100	38	100	Ø 80	17	M20	25	138	108	10000
25044/FF	M20X125	38	125	Ø 80	17	M20	25	163	108	10000
25046/FF	M20X150	38	150	Ø 80	17	M20	25	188	108	10000
25048/FF	M20X175	38	175	Ø 80	17	M20	25	213	108	10000
25050/FF	M20X200	38	200	Ø 80	17	M20	25	238	108	10000
25052/FF	M20X225	38	225	Ø 80	17	M20	25	263	108	10000
25054/FF	M20x250	38	250	Ø 80	17	M20	25	288	108	10000
25070/FF	M24X75	40	75	Ø 80	20	M24	25	115	108	10000
25072/FF	M24X100	40	100	Ø 80	20	M24	25	140	108	10000
25074/FF	M24X125	40	125	Ø 80	20	M24	25	165	108	10000
** 25076/FF	M24X150	40	150	Ø 80	20	M24	25	190	108	10000
** 25078/FF	M24X175	40	175	Ø 80	20	M24	25	215	108	10000
** 25080/FF	M24X200	40	200	Ø 80	20	M24	25	240	108	10000
25082/FF	M24X225	40	225	Ø 80	20	M24	25	265	108	10000

* Sechskantschlüssel
Hexagonal wrench

** Erhältlich mit Feingewinde. Fügen Sie "/P2" in den Code ein
Available with Thin pitch thread. Please, add "/P2" to the code

Sie haben Fragen? Kontaktieren Sie uns:
Do you need support? Contact us:

+49 (0) 7181 980 32 00

info@movet.eu

www.movet.eu