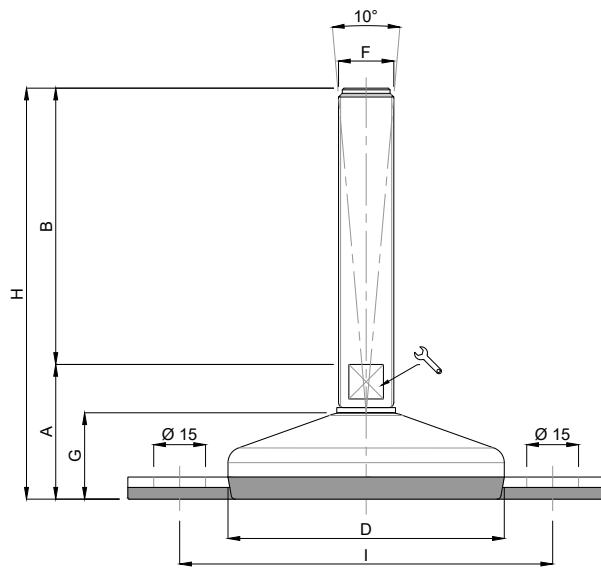


VULCANIZED MASCHINENFUSS EDELSTAHL Ø 60

MOVET®

VULCANIZED MACHINE LEVELLING FOOT STAINLESS STEEL Ø 60



TYP - TYPE 458	Beschreibung Description	HAUPTABMESSUNGEN - MAIN DIMENSIONS								STAT. BELASTUNG STATIC LOAD NEWTON
		A	B	D	🔑	F	G	H	I	
24510/FF	M10X50	32	50	Ø 60	14*	M10	22	82	90	7000
24512/FF	M10X75	32	75	Ø 60	14*	M10	22	107	90	7000
24514/FF	M10X100	32	100	Ø 60	14*	M10	22	132	90	7000
24516/FF	M10X125	32	125	Ø 60	14*	M10	22	157	90	7000
24610/FF	M12X50	32	50	Ø 60	14*	M12	22	82	90	7000
24612/FF	M12X75	32	75	Ø 60	14*	M12	22	107	90	7000
24614/FF	M12X100	32	100	Ø 60	14*	M12	22	132	90	7000
24616/FF	M12X125	32	125	Ø 60	14*	M12	22	157	90	7000
24618/FF	M12X150	32	150	Ø 60	14*	M12	22	182	90	7000
24710/FF	M14X75	32	75	Ø 60	14*	M14	22	107	90	7000
24712/FF	M14X100	32	100	Ø 60	14*	M14	22	132	90	7000
24714/FF	M14X125	32	125	Ø 60	14*	M14	22	157	90	7000
24716/FF	M14X150	32	150	Ø 60	14*	M14	22	182	90	7000
24718/FF	M14X175	32	175	Ø 60	14*	M14	22	207	90	7000
24814/FF	M16X75	35	75	Ø 60	13	M16	22	110	90	7000
24816/FF	M16X100	35	100	Ø 60	13	M16	22	135	90	7000
24818/FF	M16X125	35	125	Ø 60	13	M16	22	160	90	7000
24820/FF	M16X150	35	150	Ø 60	13	M16	22	185	90	7000
24822/FF	M16X175	35	175	Ø 60	13	M16	22	210	90	7000
24824/FF	M16X200	35	200	Ø 60	13	M16	22	235	90	7000
24910/FF	M20X75	35	75	Ø 60	17	M20	22	110	90	7000
24912/FF	M20X100	35	100	Ø 60	17	M20	22	135	90	7000
24914/FF	M20X125	35	125	Ø 60	17	M20	22	160	90	7000
24916/FF	M20X150	35	150	Ø 60	17	M20	22	185	90	7000
24918/FF	M20X175	35	175	Ø 60	17	M20	22	210	90	7000
24920/FF	M20X200	35	200	Ø 60	17	M20	22	235	90	7000
24922/FF	M20X225	35	225	Ø 60	17	M20	22	260	90	7000
24924/FF	M20X250	35	250	Ø 60	17	M20	22	285	90	7000

* Sechskantschlüssel
Hexagonal wrench